

# Installation Instructions

## Installation instructions, accessories

Volvo Car Corporation Gothenburg, Sweden

XC90 2021

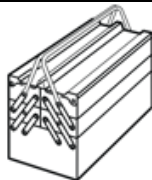
XC90 (16-) 2021

Instruction No	Version	Part. No.
32261749	1.0	32310168, 32310254, 32310255, 32261747, 32261748, 32353289

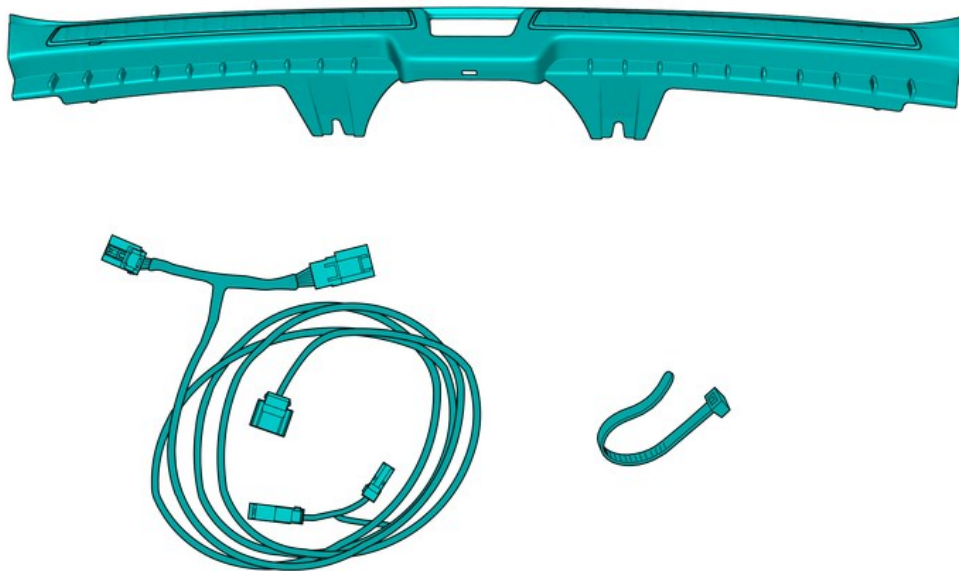


## Luggage compartment sill moulding

Special tools	
	999 5919 PULLER (SEAL-PINION,CAM-CRANKSHAFT)B200-6304 Tool number:999 5919 Tool description:PULLER (SEAL-PINION,CAM-CRANKSHAFT)B200-6304 Tool boards:46

Equipment	
	
A0000162	





IMG-460714



---

### Information

---

1

Read through all of the instructions before starting installation.

Notifications and warning texts are for your safety and to minimise the risk of something breaking during installation.

Ensure that all tools stated in the instructions are available before starting installation.

Certain steps in the instructions are only presented in the form of images. Explanatory text is also given for more complicated steps.

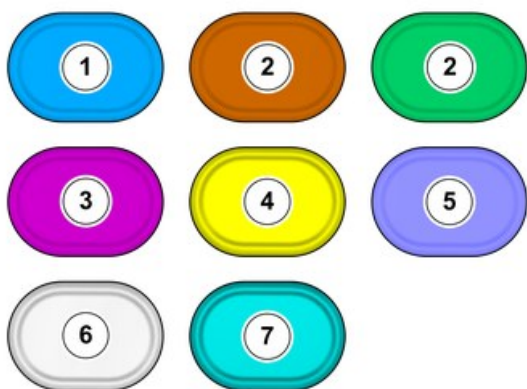
In the event of any problems with the instructions or the accessory, contact your local Volvo dealer.

---

### Color symbols

---

2



IMG-440436

**Note!**

This colour chart displays (in colour print and electronic version) the importance of the different colours used in the images of the method steps.

1. Used for focused component, the component with which you will do something.
2. Used as extra colors when you need to show or differentiate additional parts.
3. Used for attachments that are to be removed/installed. May be screws, clips, connectors, etc.
4. Used when the component is not fully removed from the vehicle but only hung to the side.
5. Used for standard tools and special tools.
6. Used as background color for vehicle components.
7. Used for accessory components.

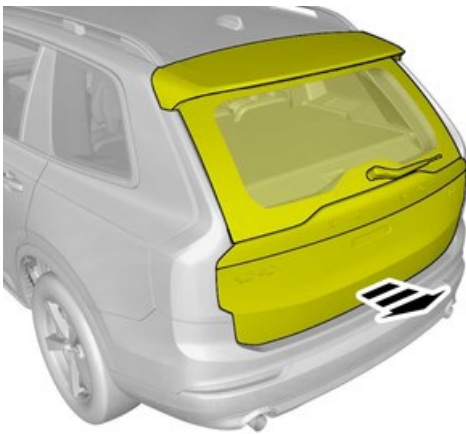
---

### Removal

---

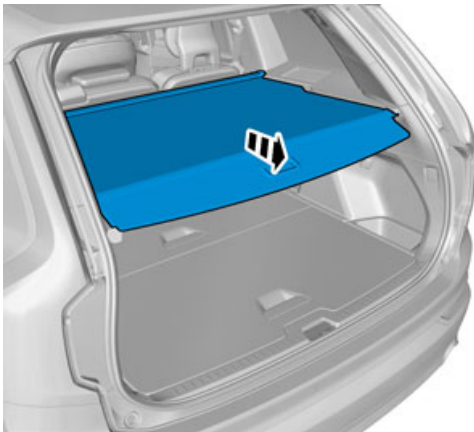


3



IMG-394779

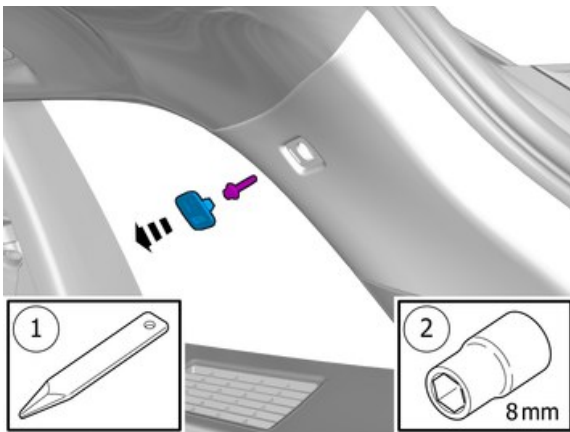
4



IMG-383039

Remove the marked part.

5



IMG-383043

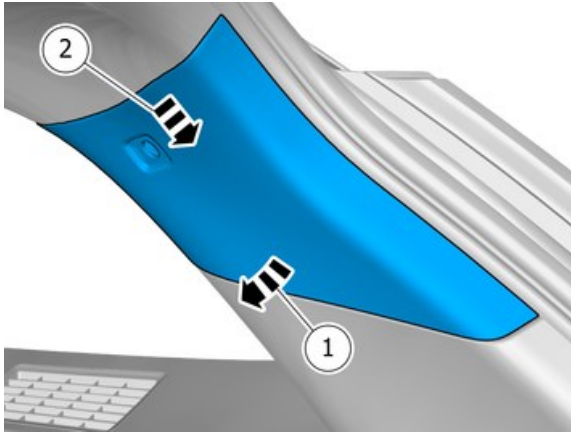
Remove the marked part.

Remove the screw.

**Tightening torque:** Panel, to D-Pillar , 4.5 Nm



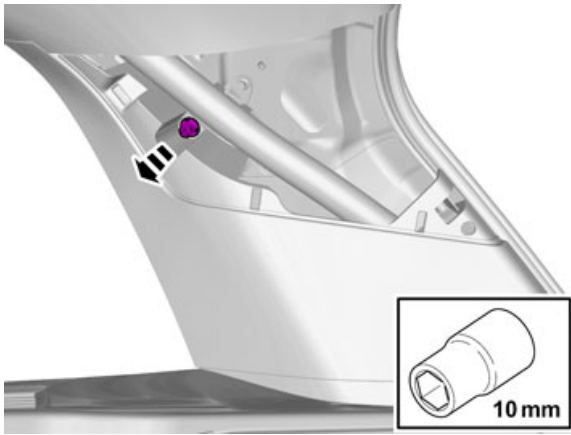
6



IMG-383044

Remove the panel.

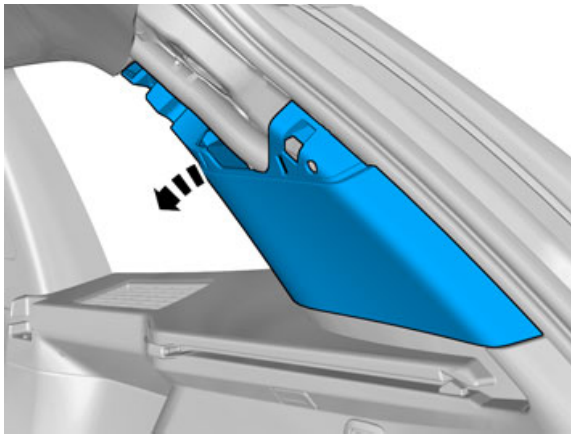
7



IMG-383045

Remove the nut.

8



IMG-383046

Remove the panel.



9



Remove the marked part.

IMG-383040

10

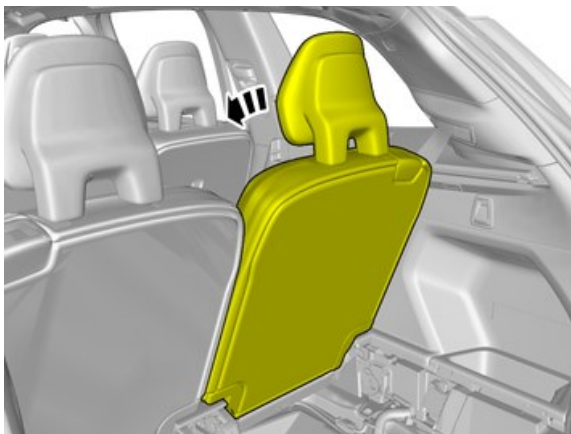


Remove the marked part.

IMG-394727

**Vehicles with seven seats**

11

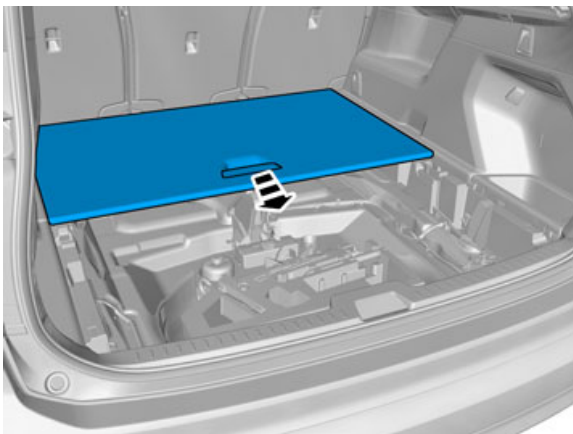


IMG-401374

**Applies to all other vehicles**



12

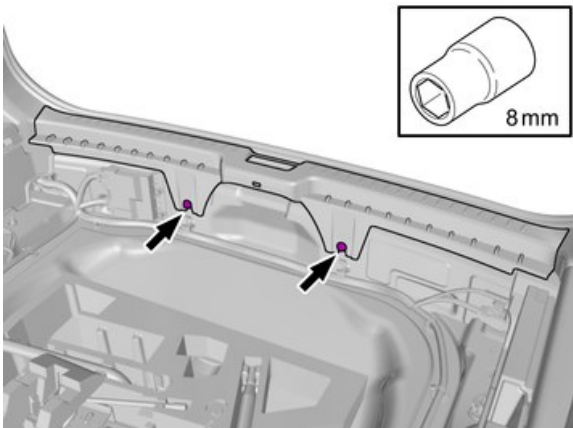


IMG-383042

Remove the marked part.

All vehicles

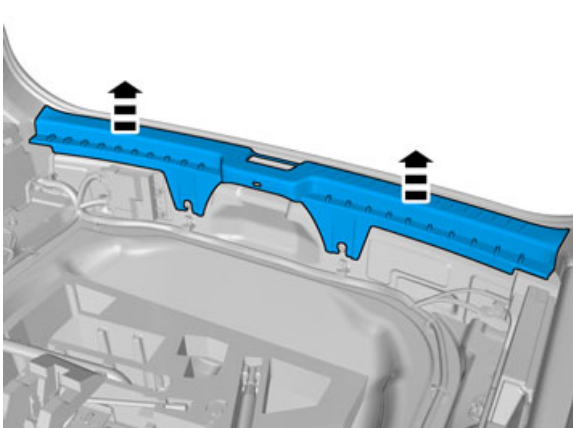
13



IMG-383047

**Note!**  
Do not loosen the bolts more than 2 turns.

14

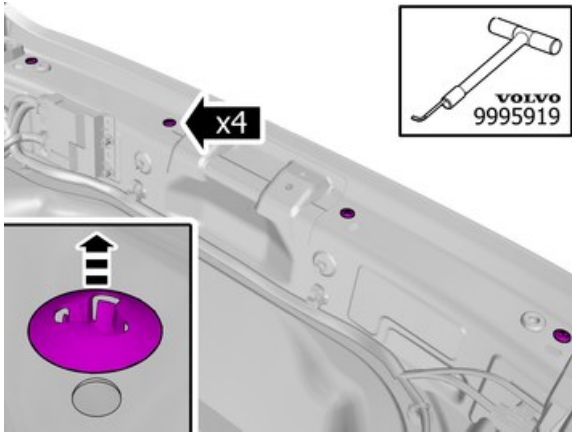


IMG-383048

**Note!**  
The clips consist of two parts.



15

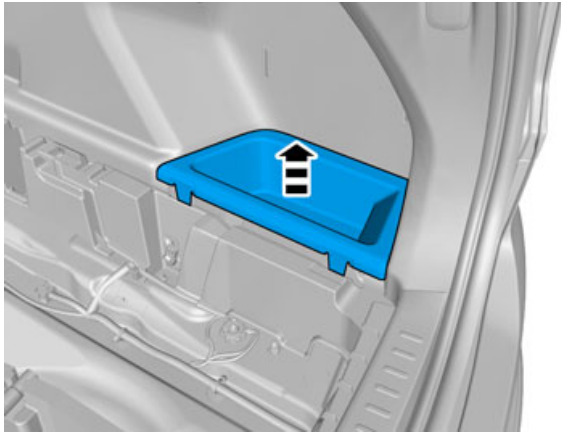


IMG-393950

Remove the clips.

Use special tool: T9995919, PULLER (SEAL-PINION,CAM-CRANKSHAFT)B200-6304

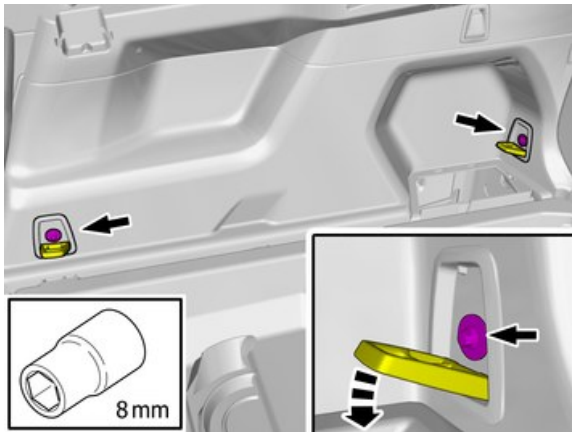
16



IMG-383066

Remove the marked part.

17



IMG-393945

Remove the screws.

Tightening torque: Cargo anchor, to body , 13 Nm





18



IMG-397295

Repeat on the other side.

19

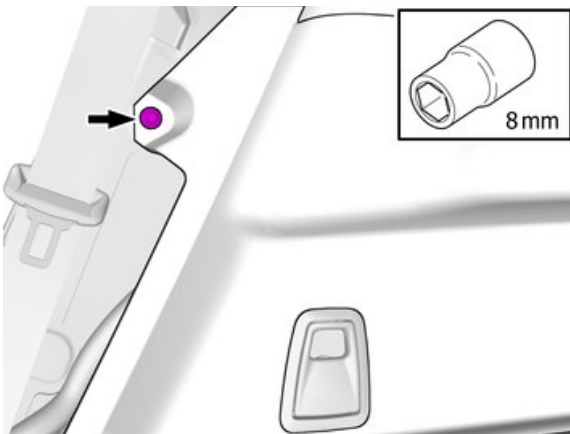


IMG-383125

Remove the panel.

Repeat on the other side.

20



IMG-396625

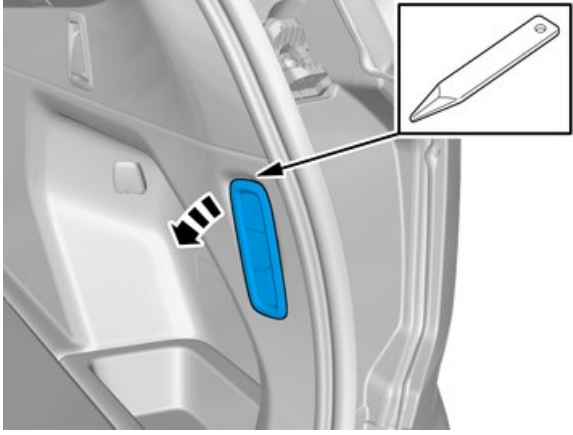
Remove the screw.

Repeat on the other side.

**Vehicles with air suspension**



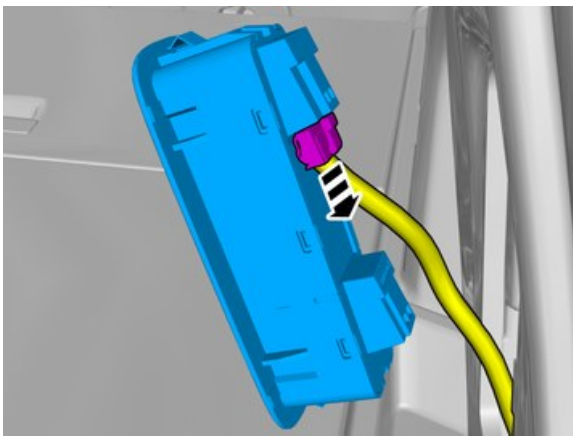
21



Loosen the marked detail.

IMG-398660

22

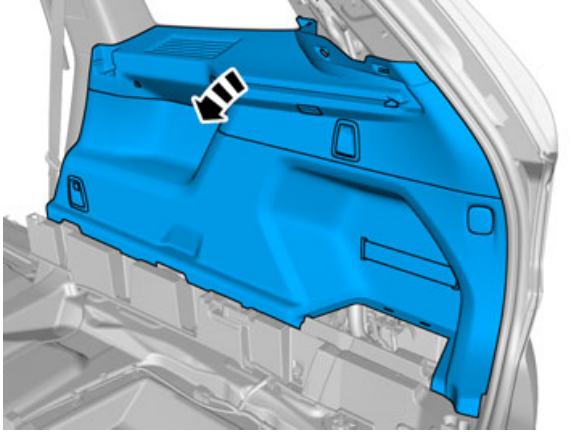


Disconnect the connector.

IMG-398661

**All vehicles**

23



Remove the panel.

Disconnect the connectors.

IMG-383049



24

Repeat the steps when removing on opposite side.

IMG-400000

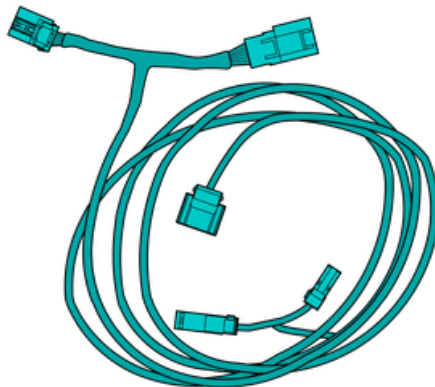
---

**Accessory installation**

---

25

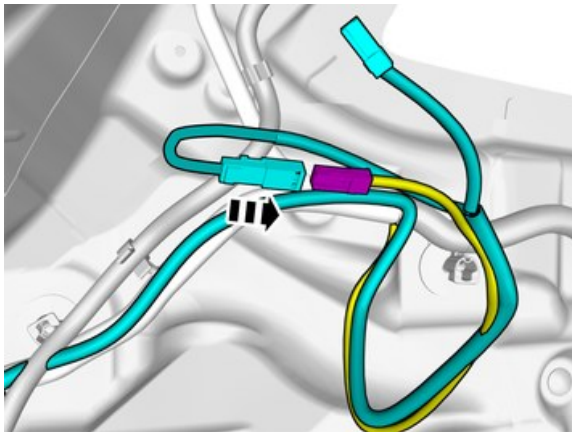
Use detail according to image.



IMG-460715

26

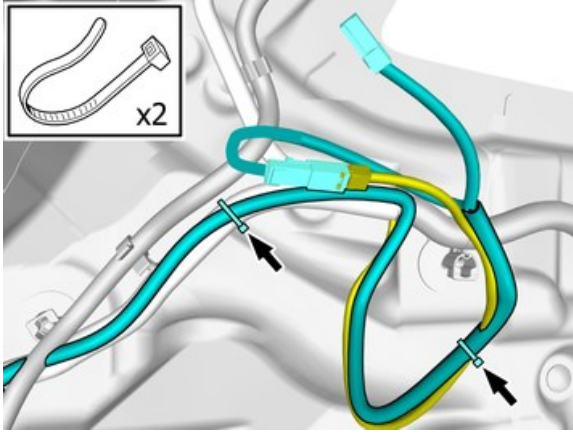
Connect the connector.



IMG-460727



27



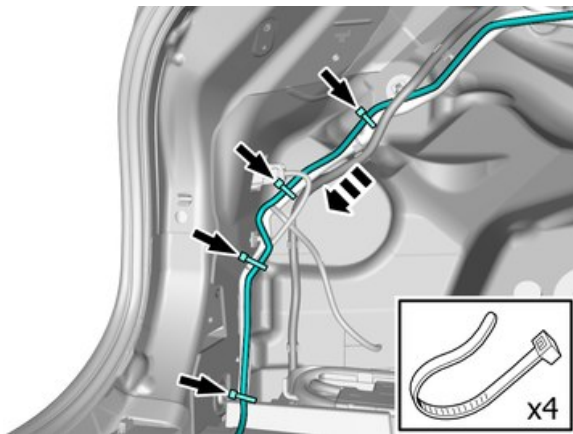
IMG-460735

Route the wire adjacent to existing wirings.

Install the cable.

Use a cable tie

28



IMG-460749

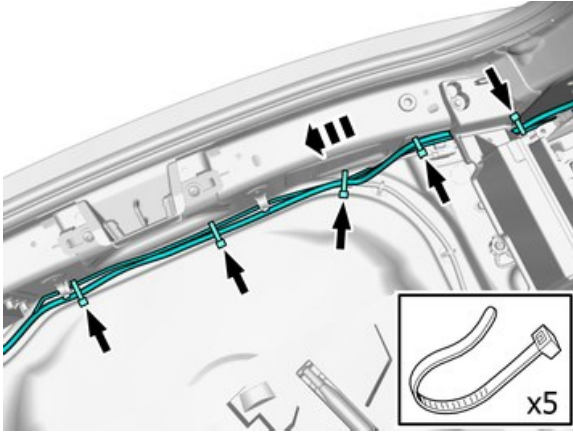
**Caution!**  
Do not attach clamb to the sunroof draining hose

Route the wire adjacent to existing wirings.

Install the cable.

Use a cable tie

29



IMG-457085

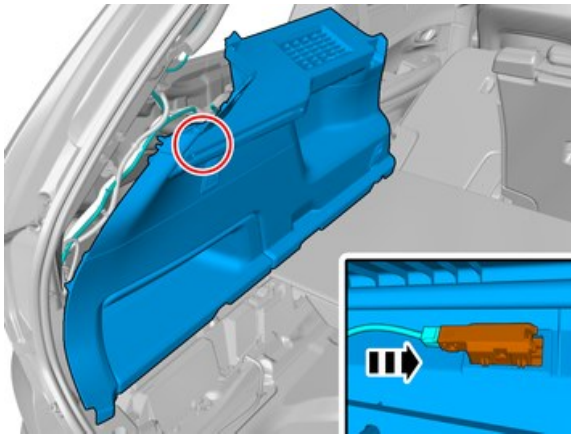
Route the wires adjacent to existing wirings.

Install the cables.

Use a cable tie



30

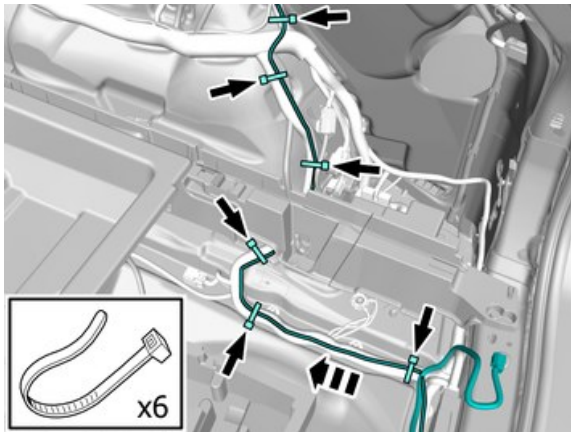


IMG-441511

Connect the connector.

Reinstall the removed part.

31



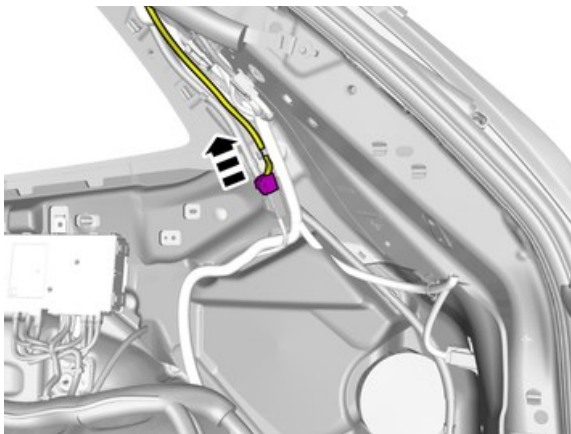
IMG-457087

Route the wire adjacent to existing wirings.

Install the cable.

Use a cable tie

32

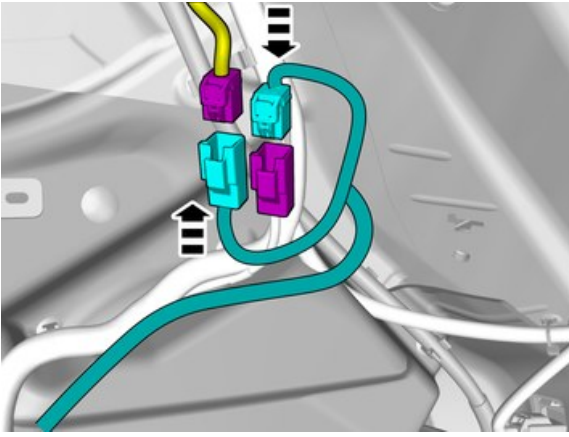


IMG-457100

Disconnect the connector.



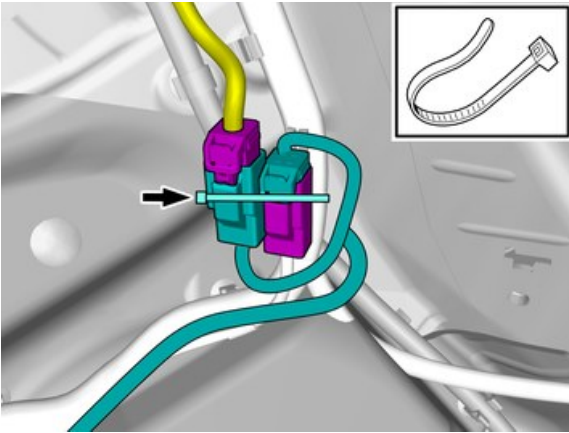
33



IMG-457105

Connect the prerouted wiring harness.

34

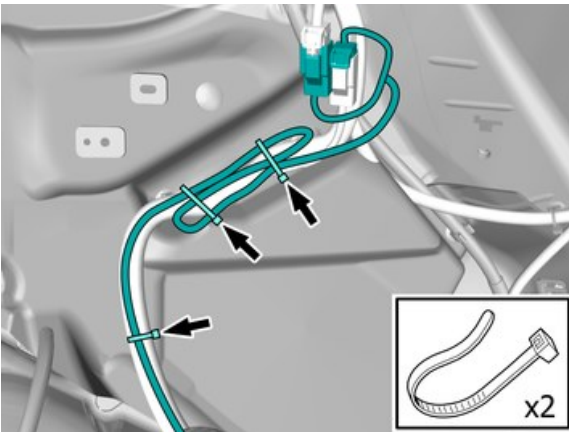


IMG-457112

Secure the connectors.

Use a cable tie

35



IMG-457113

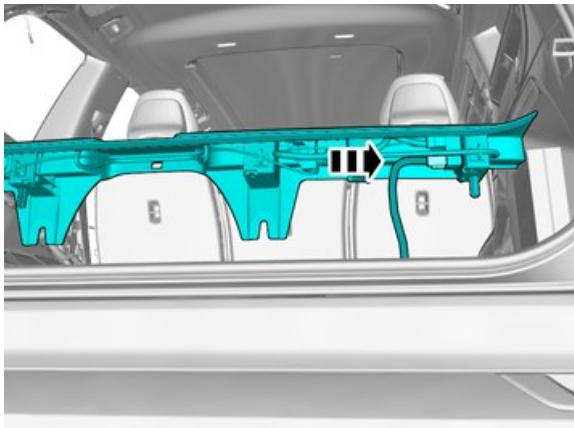
Position the wiring harness excess as illustrated.

Install the cable.

Use a cable tie



36

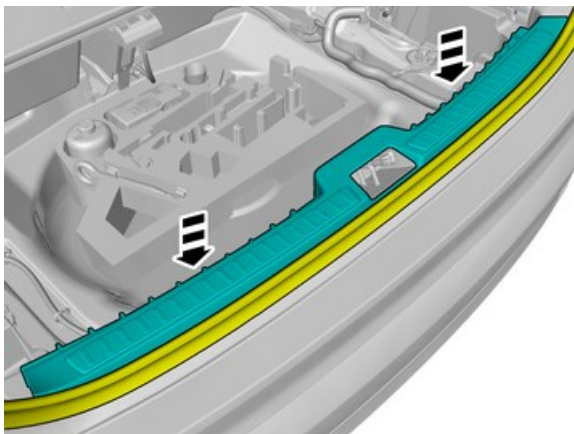


IMG-441505

Install component that comes with the accessory kit.

Connect the connector.

37



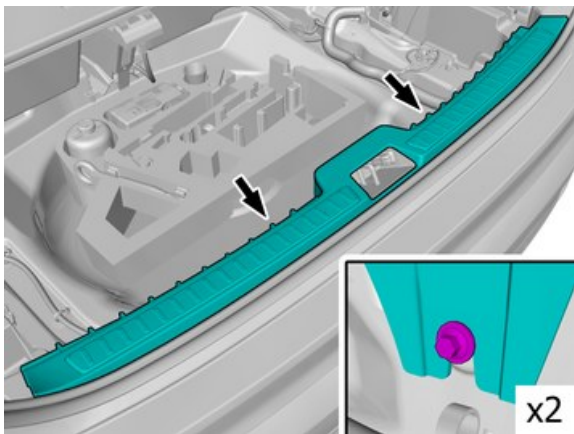
IMG-44438

Install the marked component.

Make sure that the weather strip goes on top of the panel.

**Use:** Interior trim remover

38

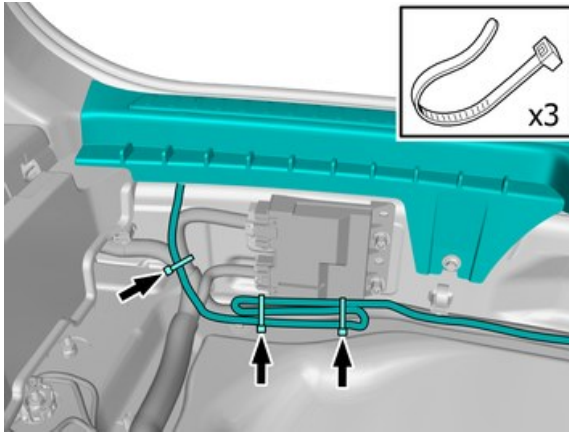


IMG-44442

Tighten the bolts.



39



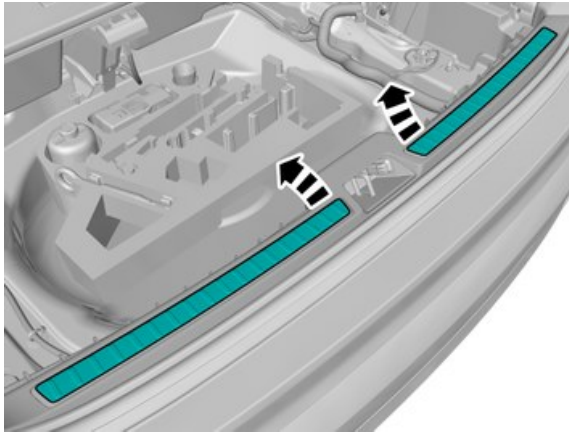
IMG-441507

Position the wiring harness excess as illustrated.

Install the cable.

Use a cable tie

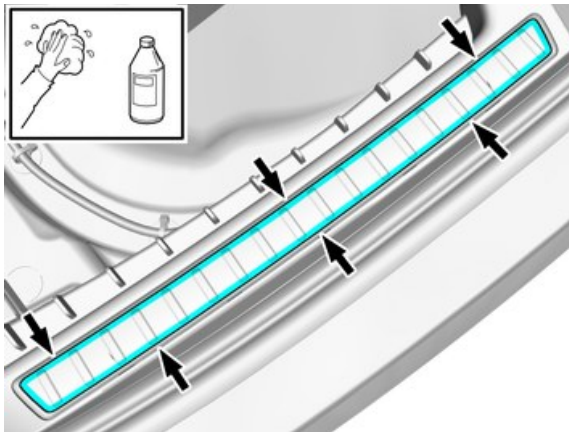
40



IMG-441508

Remove the protective film.

41



IMG-442411

Remove any traces of glue.

Use a mixture of 50% Volvo concentrated washer fluid and 50% water.

Repeat on the other side.

### Installation

42

Reinstall the removed parts in reverse order.

