

**6.5"/165MM MIDBASS SPEAKER
SUITABLE FOR SELECT VOLVO VEHICLES**

Model: ZDSV6C

SPECIFICATIONS

- 6.5" Midbass Speaker
- 13Oz Ferrite Magnet
- 100W Max Power Output
 - Rubber Surround
 - Neodymium Motor
- Car Specific Connection
 - Plug and Play

ZDSV6C - 6.5"/165mm Car Specific Midbass Speaker

SPECIFICATION	ZDSV6C
Max Power (Watts)	100 Watts
RMS Power (Watts)	50 Watts
Nominal Impedance	3.4 Ohm
Basket Material	Reinforced Plastic
Speaker Material	Treated Paper Cone
Speaker Surround	Rubber
Magnet	Ferrite (Y35)

Installation

Remove the door cover of the preferred mounting site. Disconnect the original speaker and place in storage. Connect the new speaker and use pre-existing screws to fix firmly into place.

Make sure the enclosure is firmly fixed in your vehicle. Check before drilling or cutting holes. DO NOT work near fuel tanks, fuel lines hydraulic lines or electrical wiring.

DO NOT mount speaker in such a way as to pinch or damage the wires.

Compatibility

- S60 (2019+)
- S90 (2017+)
- V60 (2019+)
- V60 XC (2019+)
- Polestar 1 (2019+)
- V90 (2017+)
- XC60 (2018+)
- XC90 (2016+)

Disclaimer

Always ensure the enclosure is securely attached, to avoid movement. PHOENIX GOLD accepts no responsibility for damage or injury in relation to inappropriate securing of this product.

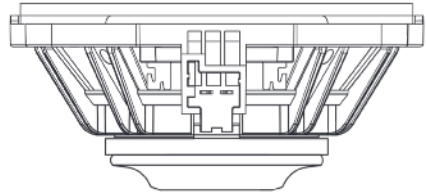
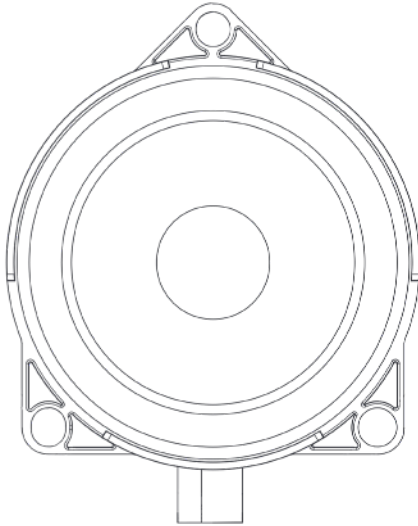
Phoenix Gold Product Warranty

LIMITED WARRANTY ON SPEAKERS

Phoenix Gold warrants this product to be free of defects in materials and workmanship for a period of one (1) years from the original date of purchase. This warranty is not transferable and applies only to the original purchaser from an authorized Phoenix Gold dealer in the United States of America only. Should service be necessary under this warranty for any reason due to manufacturing defect or malfunction, Phoenix Gold will (at its discretion) repair or replace the defective product with new or re-manufactured product at no charge. Damage caused by the following is not covered under warranty: accident, misuse, abuse, product modification or neglect, failure to follow installation instructions, unauthorized repair attempts, misrepresentations by the seller. This warranty does not cover incidental or consequential damages and does not cover the cost of removing or reinstalling the unit(s). Cosmetic damage due to accident or normal wear and tear is not covered under warranty.

INTERNATIONAL WARRANTIES:

Products purchased outside the United States of America are covered only by that country's Authorized Phoenix Gold reseller and not by Phoenix Gold. Consumers needing service or warranty information for these products must contact that country's reseller for information.



**4"/100MM MIDRANGE SPEAKER
SUITABLE FOR SELECT VOLVO VEHICLES**

Model: ZDSV4C

SPECIFICATIONS

- 4" Midrange Speaker
 - 1" Voice Coil
- 60W Max Power Output
 - Rubber Surround
 - Neodymium Motor
- Car Specific Connection
 - Plug and Play

ZDSV4C - 4"/100mm Car Specific Midrange Speaker

SPECIFICATION	ZDSV4C
Max Power (Watts)	60 Watts
RMS Power (Watts)	30 Watts
Nominal Impedance	7.4 Ohm
Voice Coil (inch)	1"
Basket Material	Plastic
Speaker Material	Sandwich Composite Cone
Speaker Surround	Rubber
Magnet	Neodymium

Installation

Remove the door cover of the preferred mounting site. Disconnect the original speaker and place in storage. Connect the new speaker and use pre-existing screws to fix firmly into place.

Make sure the enclosure is firmly fixed in your vehicle. Check before drilling or cutting holes. DO NOT work near fuel tanks, fuel lines hydraulic lines or electrical wiring.

DO NOT mount speaker in such a way as to pinch or damage the wires.

Compatibility

- S60 (2019+)
- S90 (2017+)
- V60 (2019+)
- V60 XC (2019+)
- Polestar 1 (2019+)
- V90 (2017+)
- XC60 (2018+)
- XC90 (2016+)

Disclaimer

Always ensure the enclosure is securely attached, to avoid movement. PHOENIX GOLD accepts no responsibility for damage or injury in relation to inappropriate securing of this product.

Phoenix Gold Product Warranty

LIMITED WARRANTY ON SPEAKERS

Phoenix Gold warrants this product to be free of defects in materials and workmanship for a period of one (1) years from the original date of purchase. This warranty is not transferable and applies only to the original purchaser from an authorized Phoenix Gold dealer in the United States of America only. Should service be necessary under this warranty for any reason due to manufacturing defect or malfunction, Phoenix Gold will (at its discretion) repair or replace the defective product with new or re-manufactured product at no charge. Damage caused by the following is not covered under warranty: accident, misuse, abuse, product modification or neglect, failure to follow installation instructions, unauthorized repair attempts, misrepresentations by the seller. This warranty does not cover incidental or consequential damages and does not cover the cost of removing or reinstalling the unit(s). Cosmetic damage due to accident or normal wear and tear is not covered under warranty.

INTERNATIONAL WARRANTIES:

Products purchased outside the United States of America are covered only by that country's Authorized Phoenix Gold reseller and not by Phoenix Gold. Consumers needing service or warranty information for these products must contact that country's reseller for information.